

DepotMini C186 S V

A parts separator for the lowest parts in version with chain and vacuum unit for statistical process control (SPC).

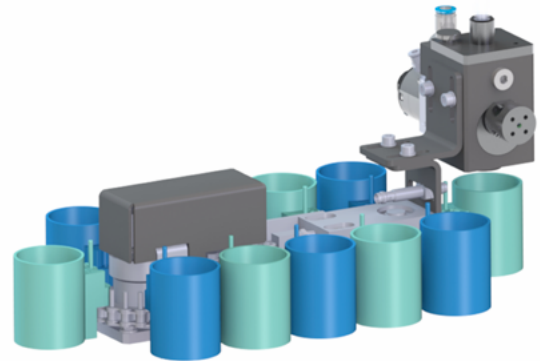
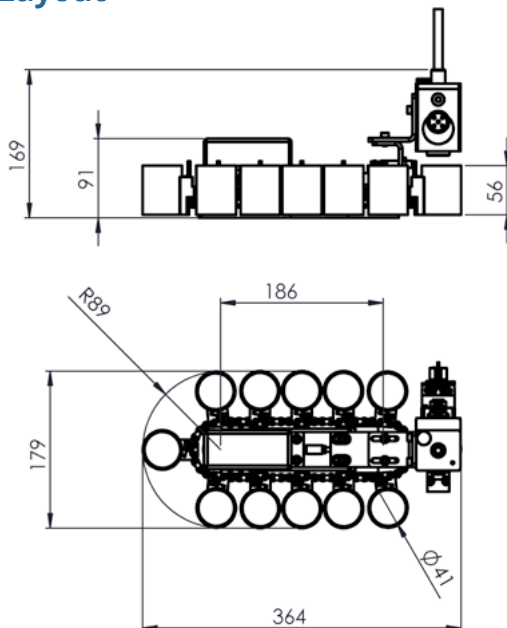
C186 S V

Center distance in mm	186
Container size Ø in mm	41
Container volume in cm ³	70
Number of containers	12

Application possibility

- Traceability of the random samples.
- Frequency and size of random sampling can be variably set by separation in containers.
- Can be retrofitted to any processing machine with a parts output channel (e.g. straight turning machines, testing machines, etc.).
- Automatic control available, can be connected via an interface to the machine tools.

Layout



Description

DepotMini C186 S V is designed ovalness with a center distance of 186 mm and round plastic containers. The maximum number of containers is 12. The containers are produced for parts size from 0.1 mm to 6.0 mm and a batch size between 100 and 10'000 parts per day.

Options

- Container
- Drip tray / Trolley
- Control
- Funnel
- DepotVacuum

Mecha AG

Stockmattstrasse 12
 3123 Belp
 T + 41 31 331 95 46
www.mecha.ch
info@mecha.ch