

DepotMini C240 M V

A parts separator for the small parts in version with chain and vacuum unit for statistical process control (SPC).

C240 M V

Center distance in mm	240
Container size \varnothing in mm	67
Container volume in cm ³	272
Number of containers	6 - 12



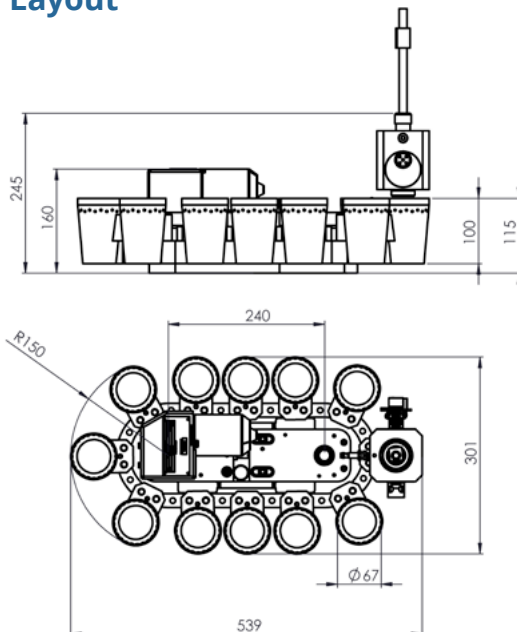
Description

DepotMini C240 M V is designed ovalness with a center distance of 240 mm and different plastic containers. The maximum number of containers from 6 to 12 are produced for parts size from 0.5 mm to 8.0 mm and batch size from 100 to 10'000 parts per day.

Application possibility

- Traceability of the random samples.
- Frequency and size of random sampling can be variably set by separation in containers.
- Can be retrofitted to any processing machine with a parts output channel (e.g. straight turning machines, testing machines, etc.).
- Automatic control available, can be connected via an interface to the machine tools.

Layout



Options

- Container
- Drip tray / Trolley
- Control
- Funnel
- DepotVacuum

Mecha AG

Stockmattstrasse 12
3123 Belp
T + 41 31 331 95 46
www.mecha.ch
info@mecha.ch