

DepotMini R212

A parts separator for the lowest parts in round version for statistical process control (SPC).

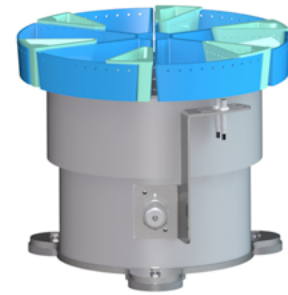
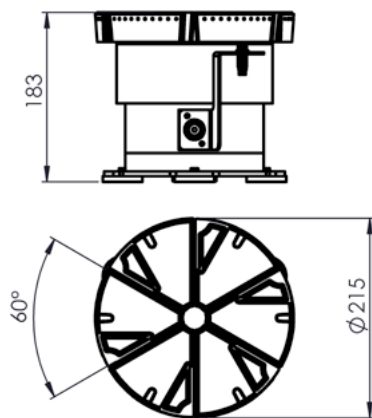
R212

Diameter in mm	215
Container size PA 1 L x B in mm	95 x 100
Container volume PA 1 in cm³	118
Container size PA 2 L x B in mm (Control container)	50 x 30
Container volume PA 2 in cm³ (Control container)	18
Number of containers	6 + 6

Application possibility

- Traceability of the random samples.
- Frequency and size of random sampling can be variably set by separation in containers.
- Can be retrofitted to any processing machine with a parts output channel (e.g. straight turning machines, testing machines, etc.).
- Automatic control available, can be connected via an interface to the machine tools.

Layout



Description

DepotMini R212 is designed on a round plate with a diameter of 215 mm and angular plastic containers. The maximum number of containers is 6 + 6. The containers are produced for parts size from 0.1 mm to 3.0 mm and a batch size between 100 and 10'000 parts per day.

Options

- Drip tray / Trolley
- Control
- Funnel

Mecha AG

Stockmattstrasse 12
3123 Belp
T + 41 31 331 95 46
www.mecha.ch
info@mecha.ch