

DepotMini R316

A parts separator for the small parts in round version for statistical process control (SPC).

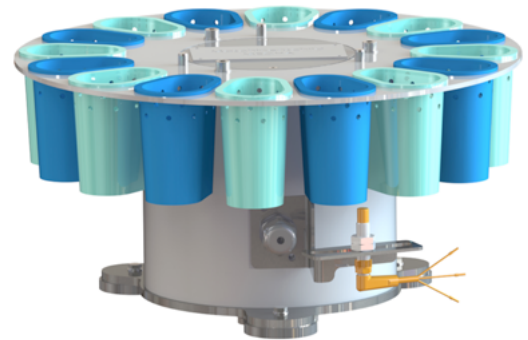
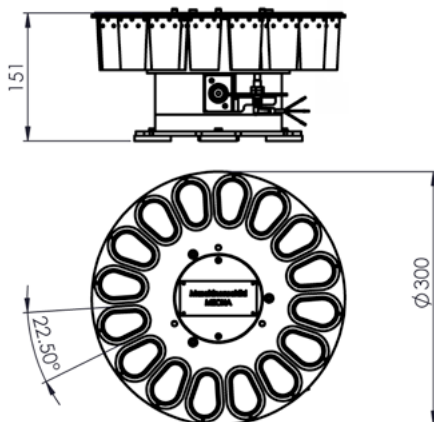
R316

Diameter in mm	300
Container size PA 1 L x B in mm (with perforation)	64 x 45
Container volume PA 1 in cm³ (with perforation)	77
Container size PA 2 L x B in mm (without perforation)	64 x 45
Container volume PA 2 in cm³ (without perforation)	77
Number of containers	16

Application possibility

- Traceability of the random samples.
- Frequency and size of random sampling can be variably set by separation in containers.
- Can be retrofitted to any processing machine with a parts output channel (e.g. straight turning machines, testing machines, etc.).
- Automatic control available, can be connected via an interface to the machine tools.

Layout



Description

DepotMini R316 is designed on a round plate with a diameter of 300 mm and angular plastic containers. The maximum number of containers is 16. The containers are produced for parts size from 0.5 mm to 8.0 mm and a batch size between 100 and 10'000 parts per day.

Options

- Drip tray / Trolley
- Control
- Funnel

Mecha AG

Stockmattstrasse 12
3123 Belp
T + 41 31 331 95 46
www.mecha.ch
info@mecha.ch