

## DepotMini R4X1

A parts separator for the lowest parts in version round for statistical process control (SPC).

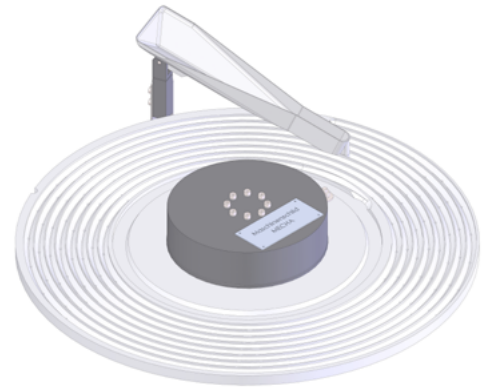
### R4X1

Diameter in mm

488

Number of containers

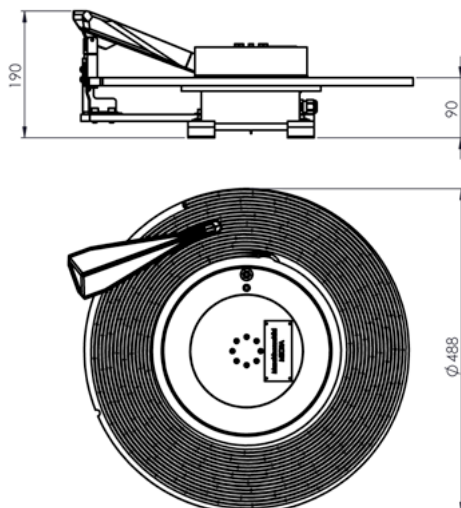
Nute



### Application possibility

- Traceability of the random samples.
- Frequency and size of random sampling can be variably set by separation in containers.
- Can be retrofitted to any processing machine with a parts output channel (e.g. straight turning machines, testing machines, etc.).
- Automatic control available, can be connected via an interface to the machine tools.

### Layout



### Description

DepotMini R4X1 is designed round and grooved with a diameter of 488 mm. These version is produced for parts size from 1.0 mm to 8.0 mm and batch size from 100 to 500 parts per day.

### Options

- Drip tray / Trolley
- Control

### Mecha AG

Stockmattstrasse 12  
3123 Belp  
T + 41 31 331 95 46  
www.mecha.ch  
info@mecha.ch